

# Morehouse Precision Calibration Grade Load Cells

## FEATURES

- Low Height
- Smaller Guaranteed Maximum Off-Center Load
- Static Error Band .02-.04%
- Low Creep
- Low Sensitivity to Magnetic Fields
- Barometric Pressure Compensation
- Temperature Compensated
- Output to 4 mV/V
- Calibrated Directly with Dead Weight Primary Standards



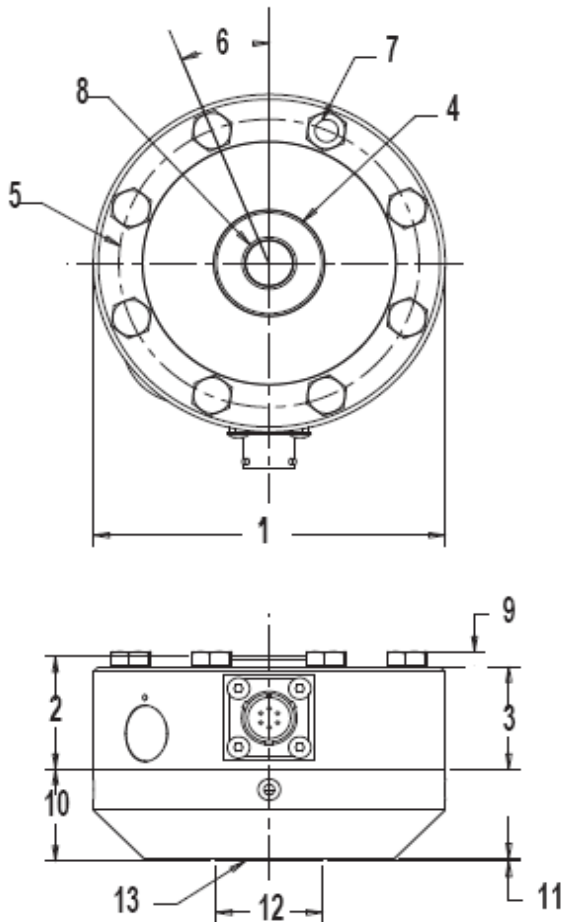
## SPECIFICATIONS

PARAMETERS	MODEL			
	300, 500, 1K, 2K	5K, 10K	25K, 50K	100K
<b>Accuracy</b>				
Static Error Band, % R.O.	+/-0.02	+/- 0.03	+/- 0.04	+/- 0.04
Non linearity, % R.O..	+/-0.03	+/-0.03	+/- 0.03	+/- 0.03
Hysteresis, % R.O.	+/-0.02	+/-0.04	+/-0.04	+/-0.04
Non-Repeatability, % R.O.	+/- 0.01	+/- 0.01	+/- 0.01	+/- 0.01
Creep, % Reading in 20 Minutes	+/- 0.03	+/- 0.03	+/- 0.03	+/- 0.03
Off-Center Load Sensitivity, % /inch	+/- 0.10	+/- 0.10	+/- 0.10	+/- 0.10
Side Load Sensitivity, %	+/- 0.10	+/- 0.10	+/- 0.10	+/- 0.10
Zero Balance, % R.O.	+/- 1.0	+/- 1.0	+/- 1.0	+/- 1.0
<b>Temperature</b>				
Range, Compensated, °F	+15 to +115	+15 to +115	+15 to +115	+15 to +115
Range, Operating, °F	-65 to +200	-65 to +200	-65 to +200	-65 to +200
Effect on Sensitivity, % Rdg/100 °F	0.08	0.08	0.08	0.08
Effect on Zero, %R.O./100 °F	0.08	0.08	0.08	0.08
<b>Electrical</b>				
Excitation Voltage, Recommended, Vdc	10	10	10	10
Input resistance, Ohms	350 +40/-3.5	350 +40/-3.5	350 +40/-3.5	350 +40/-3.5
Output Resistance, Ohms	350 +/- 3.5	350 +/- 3.5	350 +/- 3.5	350 +/- 3.5
Sensitivity (Rated Output), mV/V, Nominal	2	4	4	4
Insulation Resist., Bridge/Case, Meg Ohm	5000 @ 50 VDC	5000 @ 50 VDC	5000 @ 50 VDC	5000 @ 50 VDC
<b>Mechanical</b>				
Safe Overload Range, % R.O.	150	150	150	150
Weight (lbs.)	1.0	2.9	9.1	23.5
Weight w/Base (lbs.)	2.5	6.5	21.5	52.5
Flexure Material	Aluminum	Steel	Steel	Steel

TO ORDER CALL: 717-843-0081

# Morehouse Precision Calibration Grade Load Cells

Review Drawing	MODEL			
	300, 500, 1K, 2K	5K, 10K	25K, 50K	100K
1-CELL & BASE DIAMETER	(in inches) 4.12	4.12	6.06	8.00
2-CELL HEIGHT TO HUB	1.38	1.38	1.75	2.50
3-CELL BODY HEIGHT	1.25	1.25	1.63	2.25
4-HUB DIAMETER	1.29	1.29	2.34 25K/2.58 50K	3.76
5-MOUNTING B.C. DIAMETER	3.50	3.50	5.13	6.50
6-SYMMETRIC B.C. OFFSET	22.5 Degrees	22.5 Degrees	15 Degrees	11.25 Degrees
7-MTG. HOLE DIAMETER	0.28	0.28	0.41	0.53
8-HUB THREAD	1/2 - 20, 1.12 Dp.	5/8 - 18, 1.12 Dp.	1 1/4 - 12, 1.50 Dp.	1 3/4 - 12, 2.20 Dp.
9-BOLT HEAD PROTRUSION	0.20	0.20	0.30	0.4
10-BASE THICKNESS, TOTAL	1.13	1.13	1.75	2.00
11-BASE STEP HEIGHT	0.03	0.03	0.03	0.03
12-BASE STEP DIAMETER	1.25	1.25	2.25	3.00
13-BASE THREAD	1/2 -20. .88 Dp	5/8 -18. .88 Dp	1 1/4 - 12. 1.50 Dp.	1 3/4 - 12. 1.75 Dp.



## Options

- Additional bridges
- Output adjustment to standard
- Compression overload protection
- Integral cable
- Custom connectors

## Accessories

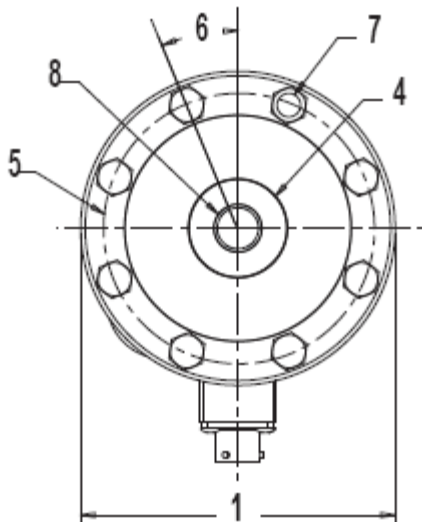
- Mating Connector
- Loading Fixtures
- Interconnect Cable
- Morehouse Model 4215 Meter
- Instrumentation
- Custom Cases

Note: Morehouse does not recommend purchasing load cells without the integral threaded adapter option.  
Dimensions available on next page

TO ORDER CALL: 717-843-0081

# Morehouse Precision Load Cells With Intergral Threaded Adapter Option

Review Drawing (in inches)	CAPACITY (lbf)			
	300, 500, 1K, 2K	5K, 10K	25K, 50K	100K
1-CELL & BASE DIAMETER	4.12	4.12	6.06	8.00
2-CELL HEIGHT TO HUB	1.38	1.38	1.75	2.50
3-CELL BODY HEIGHT	1.25	1.25	1.63	2.25
4-HUB DIAMETER	1.29	1.29	2.34 25K/2.58 50K	3.76
5-MOUNTING B.C. DIAMETER	3.50	3.50	5.13	6.50
6-SYMMETRIC B.C. OFFSET	22.5 Degrees	22.5 Degrees	15 Degrees	11.25 Degrees
7-MTG. HOLE DIAMETER	0.28	0.28	0.41	0.53
8-HUB THREAD	1/2 - 20, 1.12 Dp.	5/8 - 18, 1.12 Dp.	1 1/4 - 12, 1.50 Dp.	1 3/4 - 12, 2.20 Dp.
9-BOLT HEAD PROTRUSION	0.20	0.20	0.30	0.4
10-BASE THICKNESS, TOTAL	1.13	1.13	1.75	2.00
11-BASE STEP HEIGHT	0.03	0.03	0.03	0.03
12-BASE STEP DIAMETER	1.25	1.25	2.25	3.00
13-BASE THREAD	1/2 - 20, 0.88 Dp.	5/8 - 18, 0.88 Dp.	1 1/4 - 12, 1.50 Dp.	1 3/4 - 12, 1.75 Dp.
14-HEIGHT, TOTAL	4.19	4.19	6.44	7.88
15-ADAPTOR THREAD LENGTH	0.75	0.75	1.50	1.75
16-ADAPTOR END RADIUS	6.00	6.00	6.00	12.00
17-ADAPTOR THREAD	1/2 - 20	5/8 - 18	1 1/4 - 12	1 3/4 - 12

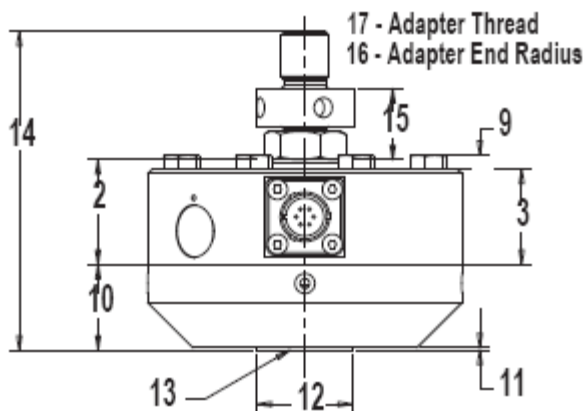


## Options

- Additional bridges
- Output adjustment to standard
- Compression overload protection
- Integral cable
- Custom connectors

## Accessories

- Mating Connector
- Loading Fixtures
- Interconnect Cable
- Morehouse Model 4215 Meter Instrumentation
- Custom Cases
- Admet Gauge Buster



TO ORDER CALL 717-843-0081